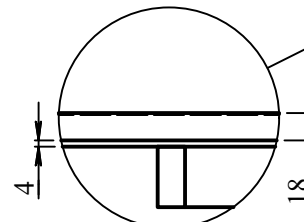
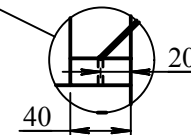
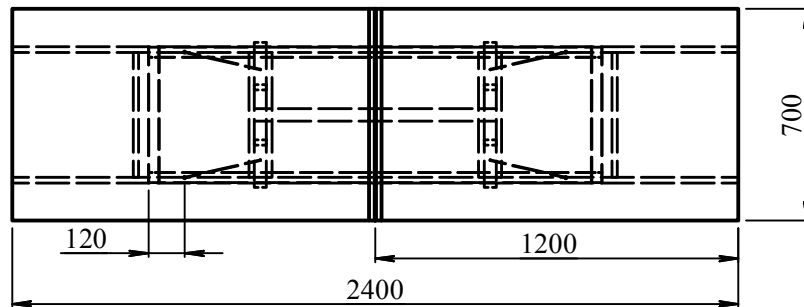
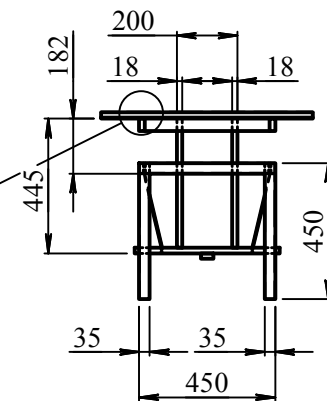


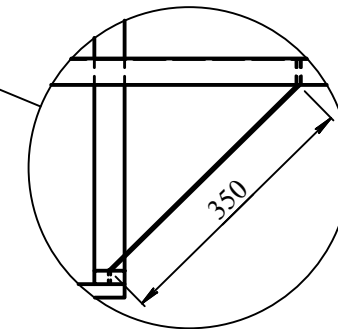
DETAIL A
SCALE 1 : 5



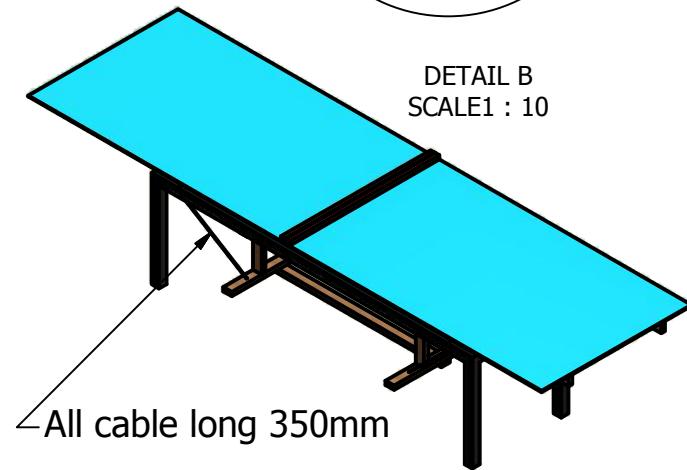
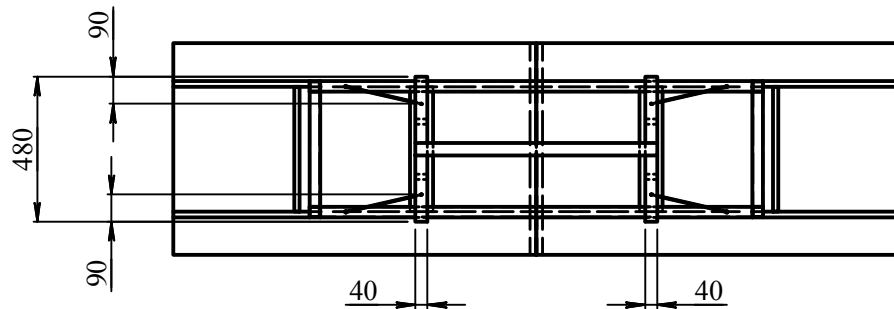
DETAIL D
SCALE 1 : 5



DETAIL C
SCALE 1 : 5



DETAIL B
SCALE 1 : 10



DWG. NAME		A4
Figure 7: Sea Of Challenges		
SCALE 1 : 25	SHEET 1 OF 1	